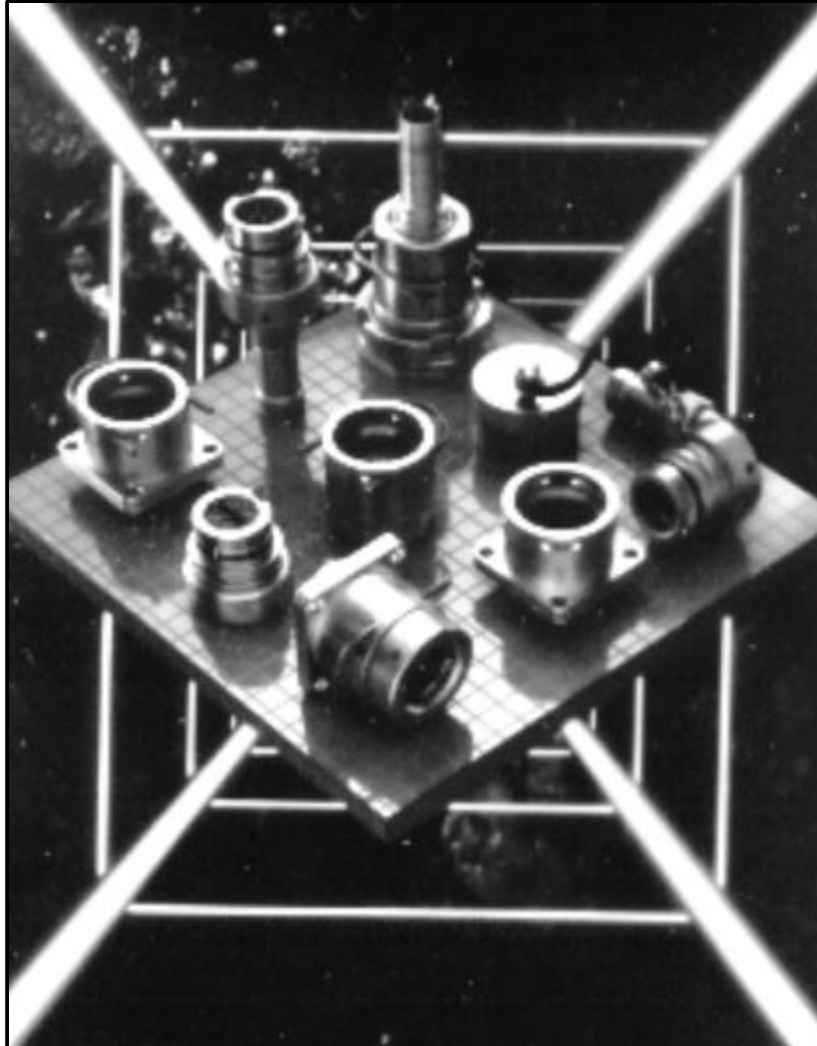


MINING CONNECTORS





STAPLE LOCK MINING CONNECTOR

INTRODUCTION

Staple Lock Connectors, initially designed by DME for electronic chock control applications in the coal mining industry, are now extensively used in hazardous and rugged areas where high humidity, dust, fluid contaminants and industrial vapours prevail.

Positive coupling is by means of a unique "staple lock" feature with provision for inserting the locking staple in any one of four positions.

Heavy duty robust brass shells and accessories, cadmium plated with a clear passivate finish offer the advantages of mechanical strength with high resistance to corrosion.

Insulators are bonded monobloc polychloroprene with an operating temperature range of -55°C to +100°C.

Four shell styles are available with contact arrangements from 2 to 19 ways offering current ratings up to 35 amps.

Sealing against water ingress is achieved between mating connectors by an 'O' ring seal between shells and by a system of cable hose adaptors and an 'O' ring on the rear of the connector.

A range of accessories includes straight and 90° outlets and protective caps.

The connector conforms to NCB specification 676 and is currently undergoing approval testing.

* The Staple Lock Coupling System is a Dowty Co. Limited patented design manufactured under licence by AB Controls & Connectors Ltd

Specification

	DM 104			AB 15			
Materials Shells: Insulator: Contacts: Accessory hardware:	Brass CZ 121 Bonded monobloc neoprene Brass CZ 121 Brass Cz 121			Brass CZ 121 Bonded monobloc neoprene Brass BZ 4 Brass CZ 121			
Plating Finishes Shells: Accessory hardware: Contacts:	Cadmium plate, clear passivate Cadmium plate, clear passivate Silver plated to DTD 919B			Cadmium plate, clear passivate Cadmium plate, clear passivate 1.25 microns gold over nickel std			
Mechanical Coupling: Orientation: Contact Termination:	Staple Lock* Insert Orientation Solder bucket, contacts for PCB & flexible printed wiring applications			Staple Lock* Insert orientation Solder bucket, crimp (rubber retention)			
Temperature	-55°C to +100°C			-55°C to +125°C			
Electrical No. of contacts: Current rating: Working voltage: Proof voltage:	4 way 19 amps	6 way 5 amps	12 way 5 amps	5 way 10 amps	8 way 8x10 amps	12 way 8x5 amps/4x10 amps	19 way 5 amps
	500	1500	500	1200	1200	700	700
	2000	4000	2000	3000	3000	2100	2100

THE RIGHT IS RESERVED TO CHANGE DESIGN AND SPECIFICATION WITHOUT NOTICE

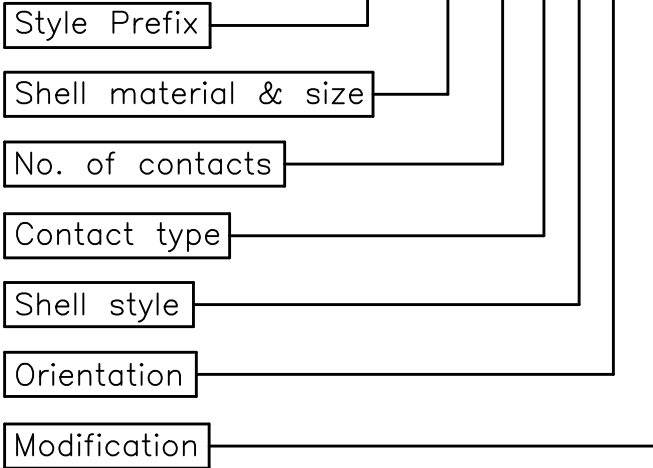


HOW TO ORDER

CONNECTORS

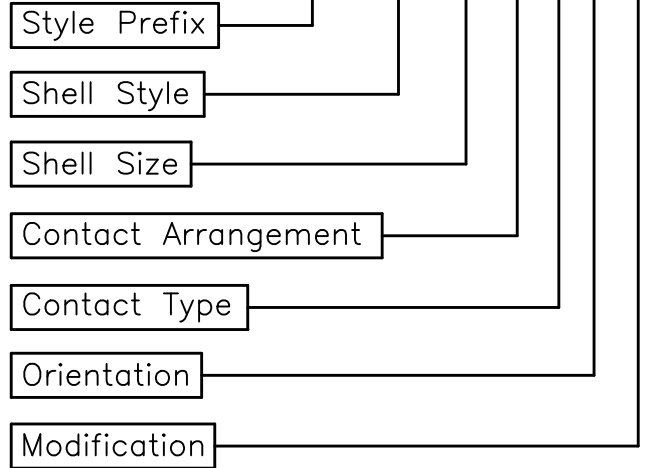
DM104

DM104 BM 12 P X 0 JN



AB15

AB15 2100 14 12 P N 00



Style Prefix : DM104 – Staple Lock* Mining Connectors with 104 interior

Shell Material & Size : BM – Brass Medium

No. of Contacts : 4,6 and 12 way available

Contact Type : P – Pin
S – Socket

Shell Style : X – Receptacle (Fixed)
E – Plug (Free)

Orientation : 0,1,2,3,4,5 available

Modification : JN – Jam Nut Receptacle
RF – Round Flange Receptacle

For PCB contacts, please contact factory.

Style Prefix : AB15 – Staple Lock* Mining Connector with 105 interior

Shell Style : 2100 – Square Flange Receptacle with No. accessory thread
7200 – Plug with accessory thread
3100 – Jam nut style

Shell Size : Size 14 and 16 available

Contact Arrangement : 5 way – 5 size 16 contacts
8 way – 8 size 16 contacts
12 way – 8 size 20 contacts
4 size 16 contacts
19 way – 19 size 20 contacts

Contact Type : P – Pin
S – Socket

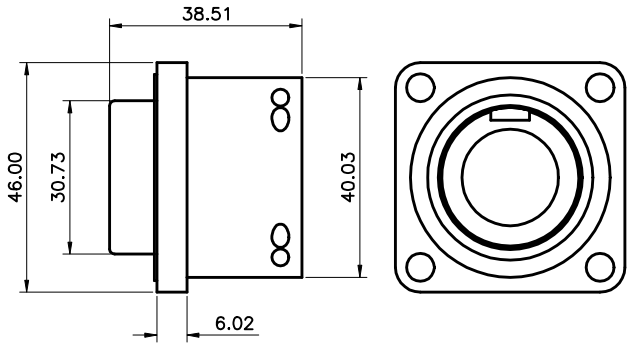
Orientation : N – Normal only available

Modification : 00 – Solder contacts
42 – Solder contacts with 5 microns gold

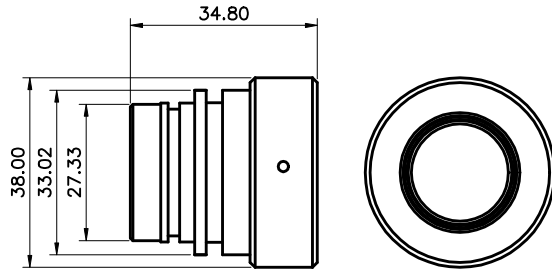


SHELL STYLE AVAILABILITY FOR DM 104

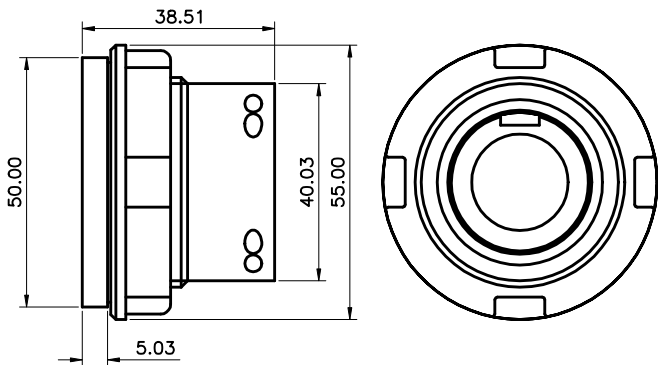
FOUR HOLE MOUNTING RECEPTACLE
DM 104 BM***X*



PLUG
DM 104 BM***E*

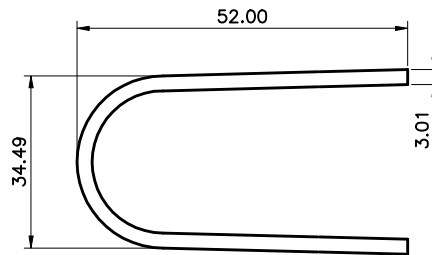


JAM NUT RECEPTACLE
DM 104 BM***X*JN

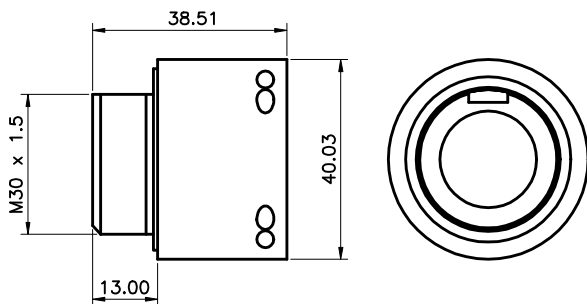


STAPLE

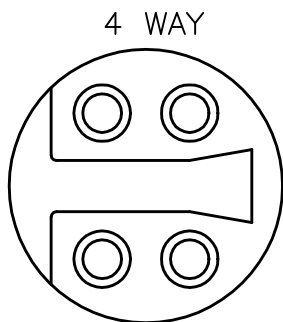
AB 15 0M 510 000 CK
(must be ordered separately)



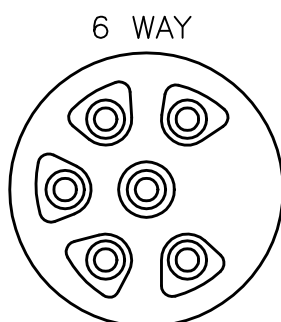
ROUND FLANGE RECEPTACLE
DM 104 BM***X*RF



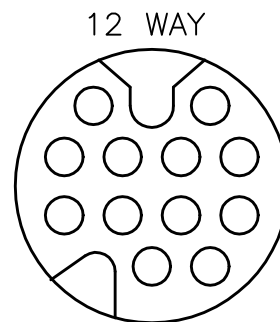
CONTACT ARRANGEMENT AVAILABILITY FOR DM 104



4 X 5 AMPS
SERVICE RATING 1



6 X 5 AMPS
SERVICE RATING 2



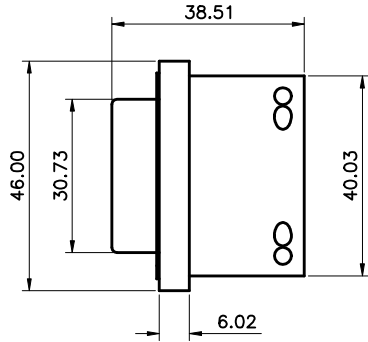
12 X 5 AMPS
SERVICE RATING 1



SHELL STYLE AVAILABILITY FOR AB15

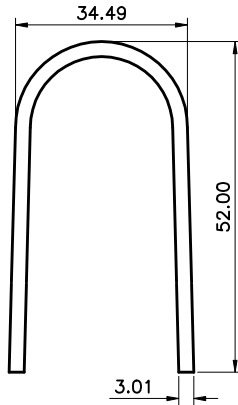
FOUR HOLE MOUNTING RECEPTACLE

AB15 2100 14 *****



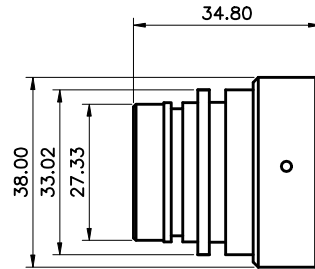
STAPLE

AB 15 OM 510 000 CK
(must be ordered separately)



PLUG

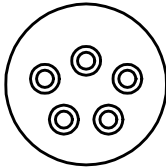
AB15 7200 14 *****



FOR DIMENSIONAL DETAILS SEE PAGE 4

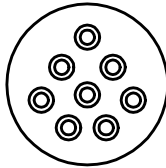
CONTACT ARRANGEMENT AVAILABILITY FOR AB15

14-05



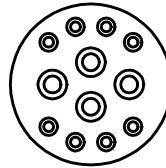
5 x 10 AMPS
SERVICE RATING 2

16-08



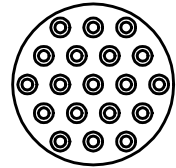
16 x 10AMPS
SERVICE RATING 1

14-12



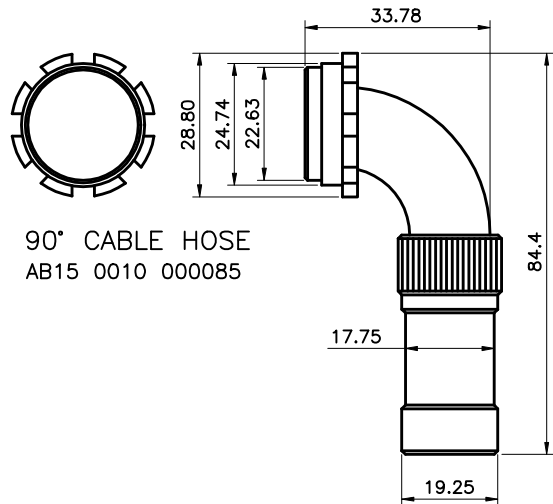
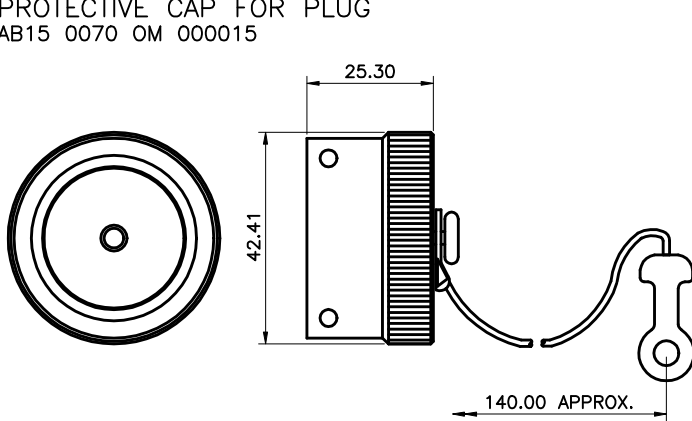
8 x 5AMPS 4 x 10AMPS
SERVICE RATING 1

14-19



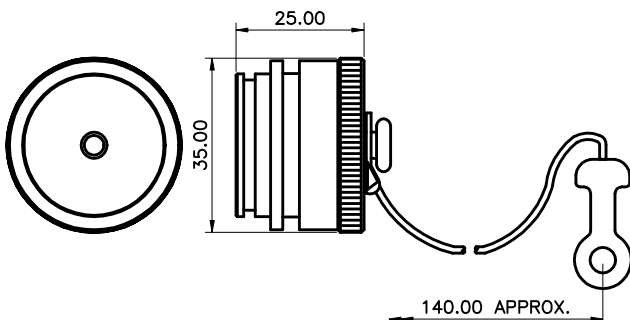
19 x 10AMPS
SERVICE RATING 1

ACCESSORY AVAILABILITY PROTECTIVE CAP FOR PLUG AB15 0070 OM 000015



90° CABLE HOSE
AB15 0010 000085

PROTECTIVE CAP FOR RECEPTACLE AB15 0065 OM 000015



CABLE HOSE ADAPTOR AB15 OM 306 000015

